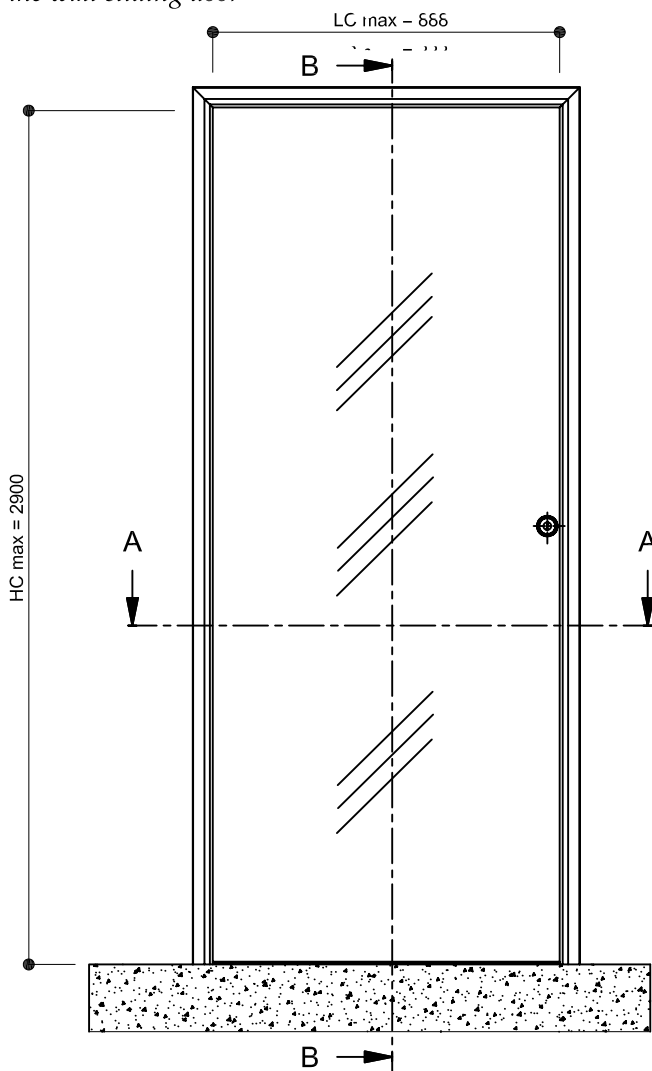


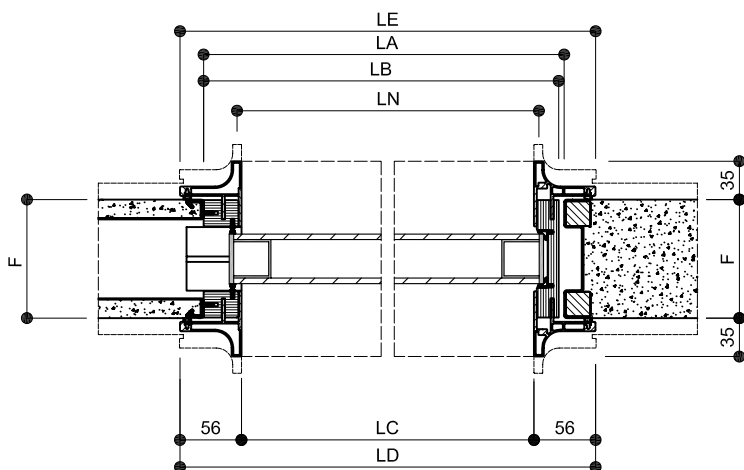
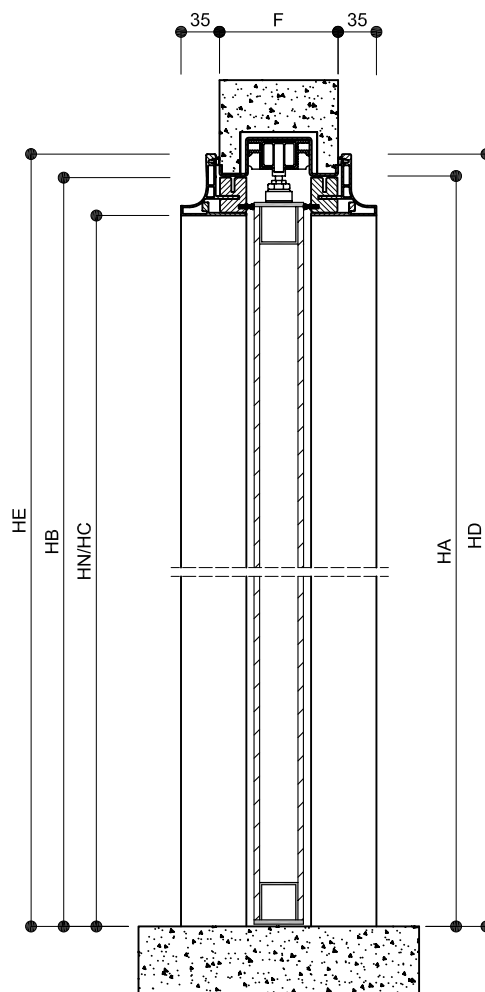
Linea Wayl-Shine

Porta scorrevole interno muro

In the wall sliding door



Sezione / Section A - A



Legenda / Legend :

LN/HN = Misura nominale di ordinazione
Order dimension

LA/HA = Luce netta falso telaio
Structural opening dimensions

LB/HB = Ingombro stipite
Overall frame dimensions

LC/HC = Luce netta di passaggio
Maximum passage through

LD/HD = Ingombro coprifilo lato a tirare
Overall dimensions including architraves internal

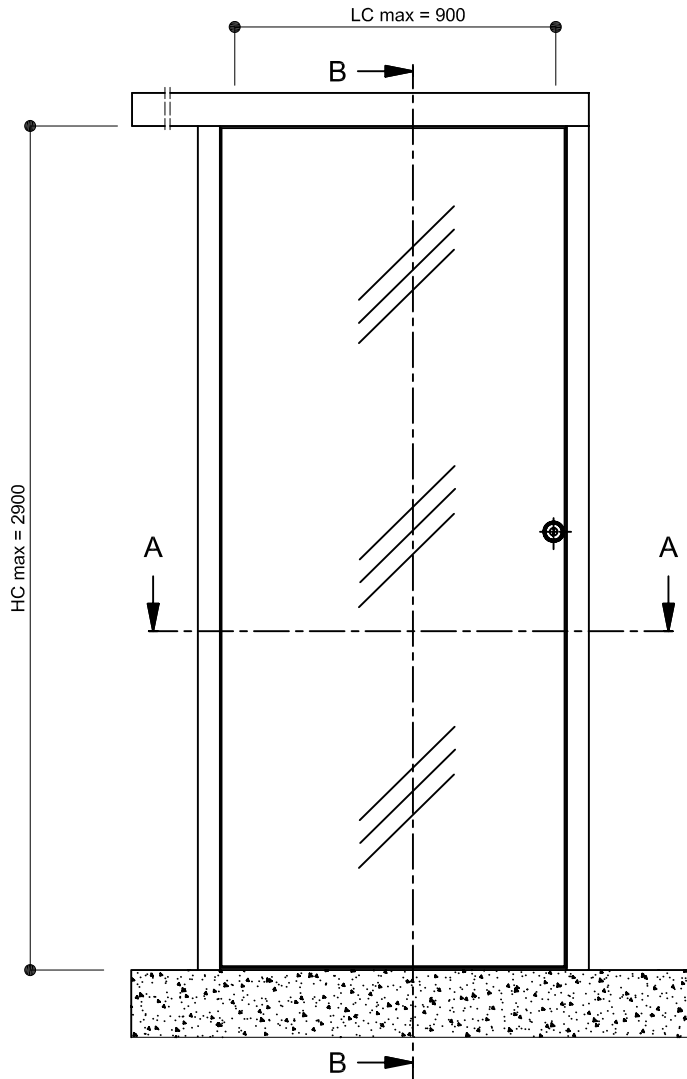
LE/HE = Ingombro coprifilo lato a spingere
Overall dimensions including architraves external

F = Spessore parete
Wall thickness

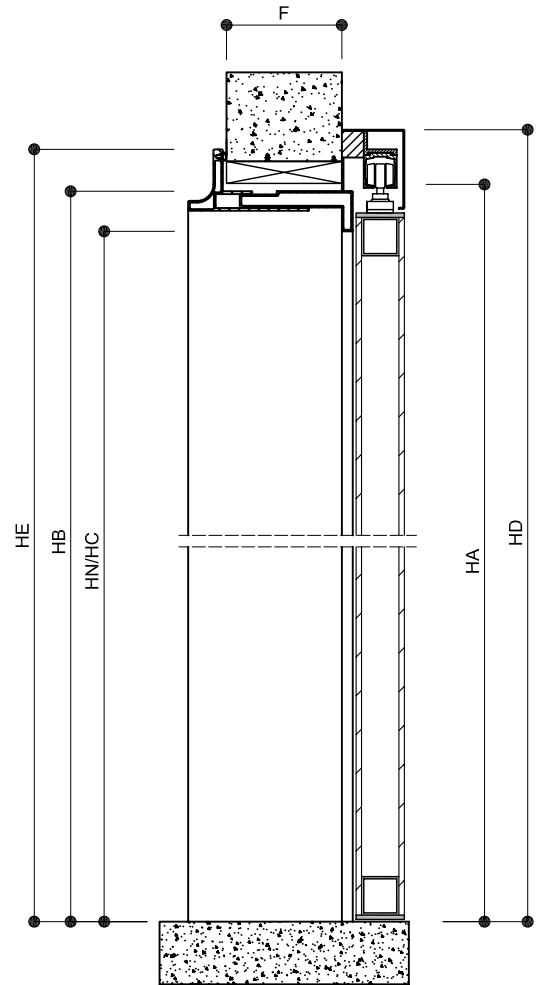
MISURE STANDARD (mm)											
LN	LC	HN/HC	LA	HA	LB	HB	LD	HD	LE	HE	F
600	588	2000/2100	650	2036/2136	645	2035/2135	712	2056/2156	712	2056/2156	da 100 a 135
700	688	2000/2100	750	2036/2136	745	2035/2135	812	2056/2156	812	2056/2156	
750	738	2000/2100	800	2036/2136	795	2035/2135	862	2056/2156	862	2056/2156	
800	788	2000/2100	850	2036/2136	845	2035/2135	912	2056/2156	912	2056/2156	
900	888	2000/2100	950	2036/2136	945	2035/2135	1012	2056/2156	1012	2056/2156	

Linea Wayl-Shine

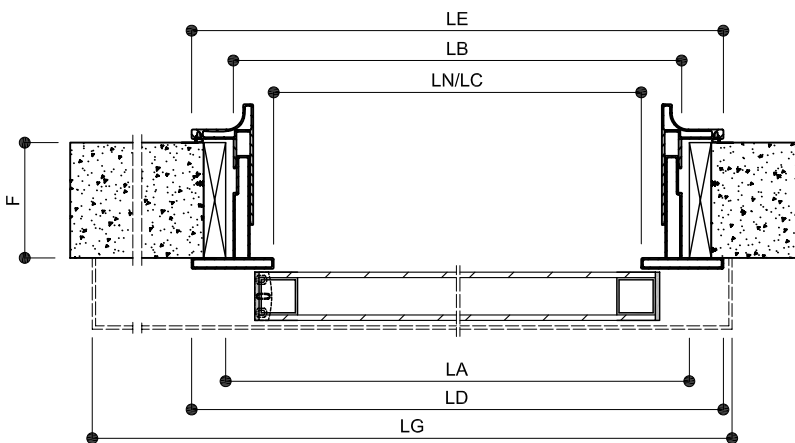
Porta scorrevole esterna attacco a parete con stipite
 External sliding door wall fixing with post



Sezione / Section B - B



Sezione / Section A - A



Legenda / Legend :

LN/HN = Misura nominale di ordinazione
Order dimension

LA/HA = Luce netta falso telaio
Structural opening dimensions

LB/HB = Ingombro stipite
Overall frame dimensions

LC/HC = Luce netta di passaggio
Maximum passage through

LD/HD = Ingombro coprifilo lato a tirare
Overall dimensions including architraves internal

LE/HE = Ingombro coprifilo lato a spingere
Overall dimensions including architraves external

LG = Ingombro cassonetto copribinario
Overall dimensions rail-covering case

F = Spessore parete
Wall thickness

MISURE STANDARD (mm)												
LN	LC	HN/HC	LA	HA	LB	HB	LD	HD	LE	HE	LG	F
600	610	2000/2100	700	2050/2150	686	2040/2140	762	2100/2200	762	2100/2200	1420	da 105 a 125
700	710	2000/2100	800	2050/2150	786	2040/2140	862	2100/2200	862	2100/2200	1620	
750	760	2000/2100	850	2050/2150	836	2040/2140	912	2100/2200	912	2100/2200	1720	
800	810	2000/2100	900	2050/2150	886	2040/2140	962	2100/2200	962	2100/2200	1820	
900	910	2000/2100	1000	2050/2150	986	2040/2140	1062	2100/2200	1062	2100/2200	2020	