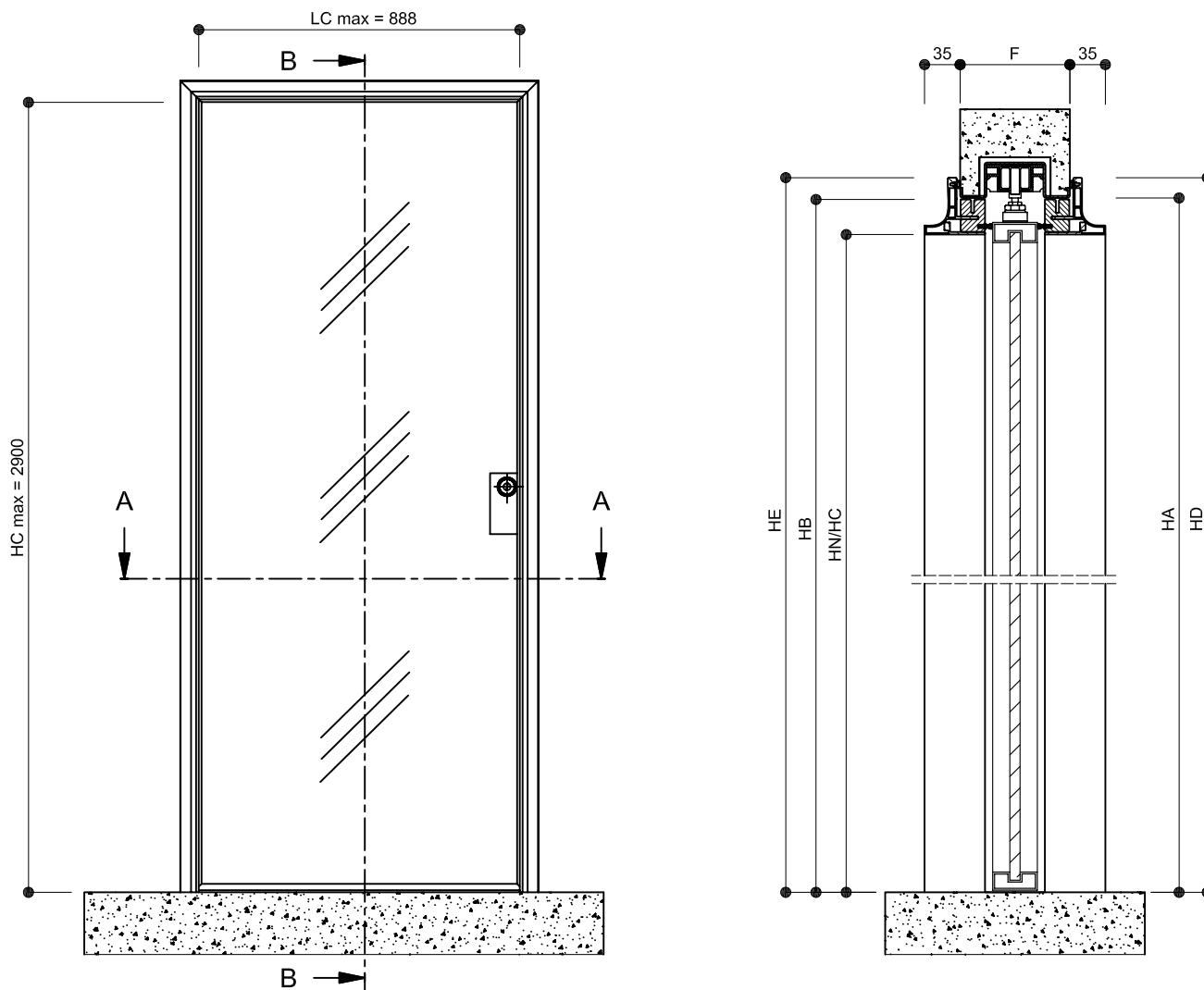


# Linea Wayl-Glass

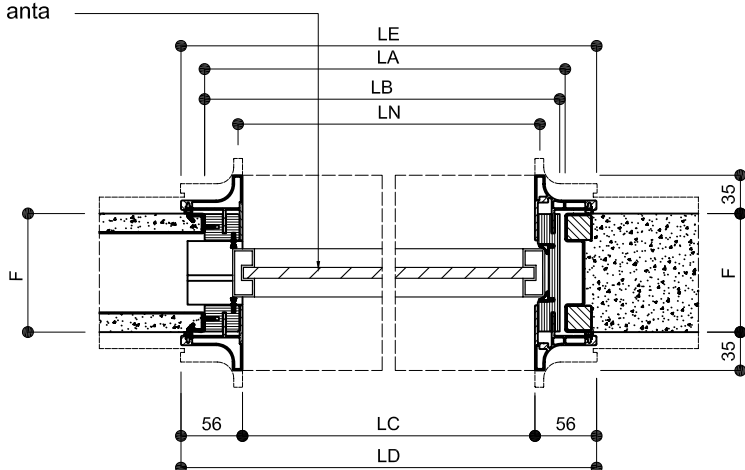
Porta scorrevole interno muro

*In the wall sliding door*



Sezione / Section A - A

ATTENZIONE !  
giunzione pavimenti  
in centro anta



**Legenda / Legend :**

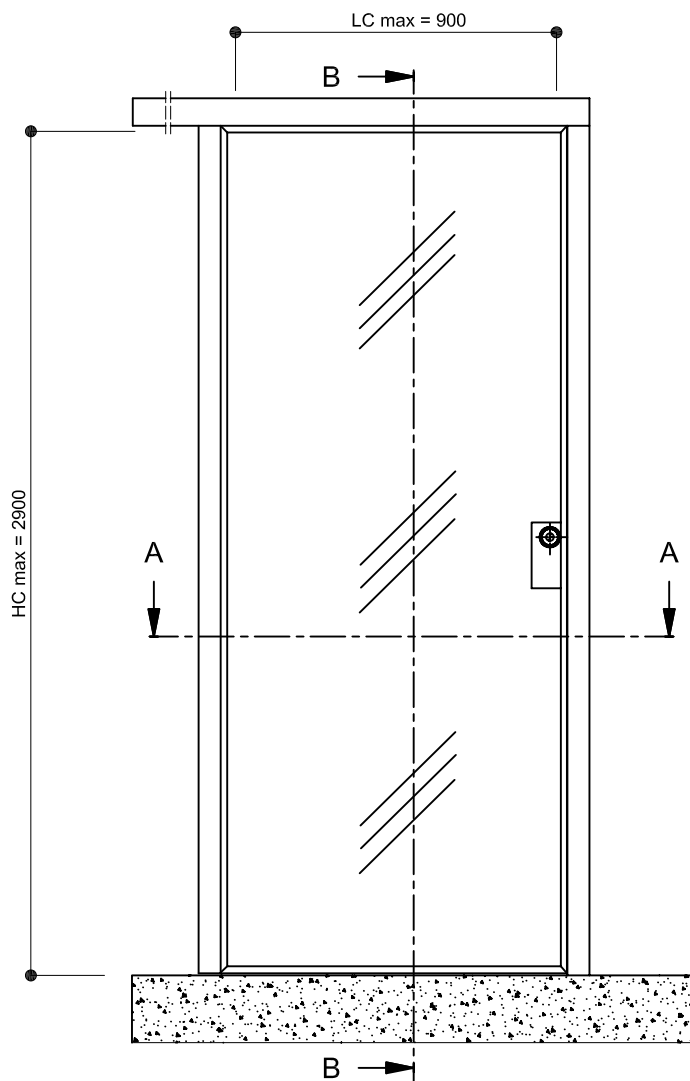
- LN/HN** = Misura nominale di ordinazione  
*Order dimension*
- LA/HA** = Luce netta falso telaio  
*Structural opening dimensions*
- LB/HB** = Ingombro stipite  
*Overall frame dimensions*
- LC/HC** = Luce netta di passaggio  
*Maximum passage through*
- LD/HD** = Ingombro coprifilo lato a tirare  
*Overall dimensions including architraves internal*
- LE/HE** = Ingombro coprifilo lato a spingere  
*Overall dimensions including architraves external*
- F** = Spessore parete  
*Wall thickness*

MISURE STANDARD (mm)											
LN	LC	HN/HC	LA	HA	LB	HB	LD	HD	LE	HE	F
600	588	2000/2100	650	2036/2136	645	2035/2135	712	2056/2156	712	2056/2156	da 100 a 135
700	688	2000/2100	750	2036/2136	745	2035/2135	812	2056/2156	812	2056/2156	
750	738	2000/2100	800	2036/2136	795	2035/2135	862	2056/2156	862	2056/2156	
800	788	2000/2100	850	2036/2136	845	2035/2135	912	2056/2156	912	2056/2156	
900	888	2000/2100	950	2036/2136	945	2035/2135	1012	2056/2156	1012	2056/2156	

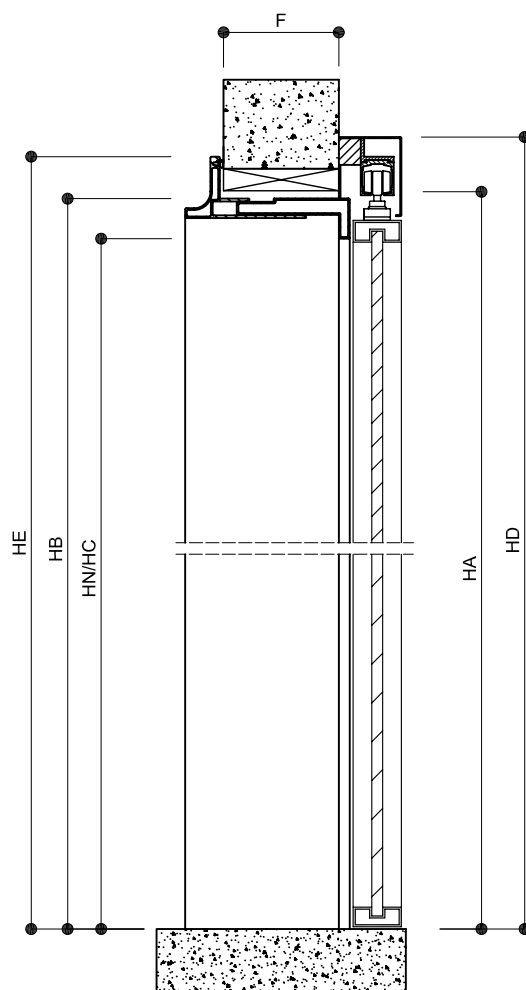
# Linea Wayl-Glass

Porta scorrevole esterna attacco a parete con stipite

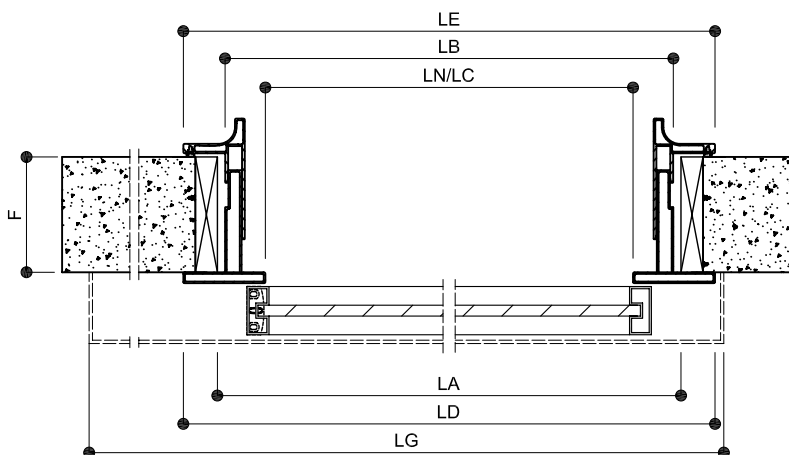
External sliding door wall fixing with post



Sezione / Section B - B



Sezione / Section A - A



**Legenda / Legend :**

**LN/HN** = Misura nominale di ordinazione  
*Order dimension*

**LA/HA** = Luce netta falso telaio  
*Structural opening dimensions*

**LB/HB** = Ingombro stipite  
*Overall frame dimensions*

**LC/HC** = Luce netta di passaggio  
*Maximum passage through*

**LD/HD** = Ingombro coprifilo lato a tirare  
*Overall dimensions including architraves internal*

**LE/HE** = Ingombro coprifilo lato a spingere  
*Overall dimensions including architraves external*

**LG** = Ingombro cassonetto copribinario  
*Overall dimensions rail-covering case*

**F** = Spessore parete  
*Wall thickness*

MISURE STANDARD (mm)												
LN	LC	HN/HC	LA	HA	LB	HB	LD	HD	LE	HE	LG	F
600	610	2000/2100	700	2050/2150	686	2040/2140	762	2100/2200	762	2100/2200	1420	
700	710	2000/2100	800	2050/2150	786	2040/2140	862	2100/2200	862	2100/2200	1620	100
750	760	2000/2100	850	2050/2150	836	2040/2140	912	2100/2200	912	2100/2200	1720	108
800	810	2000/2100	900	2050/2150	886	2040/2140	962	2100/2200	962	2100/2200	1820	120
900	910	2000/2100	1000	2050/2150	986	2040/2140	1062	2100/2200	1062	2100/2200	2020	