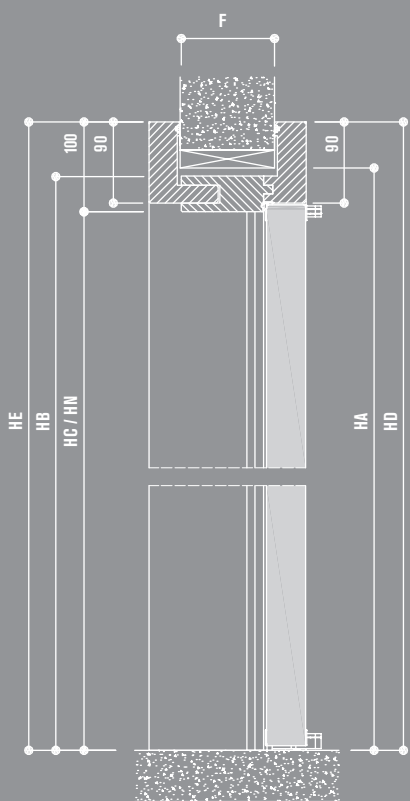
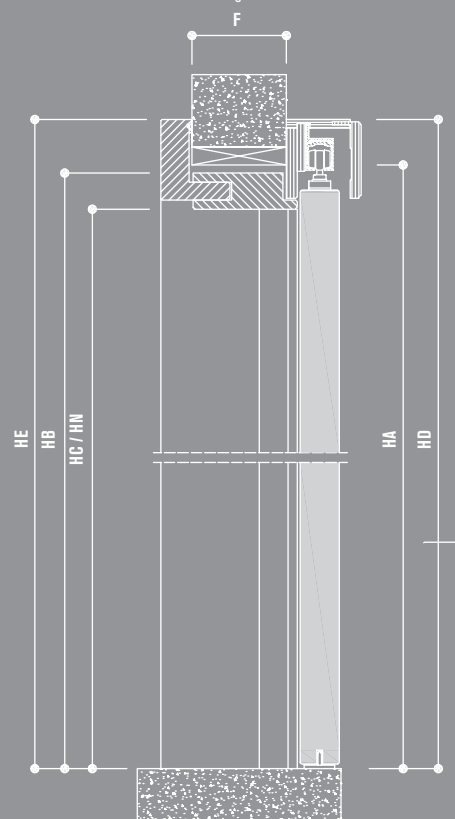


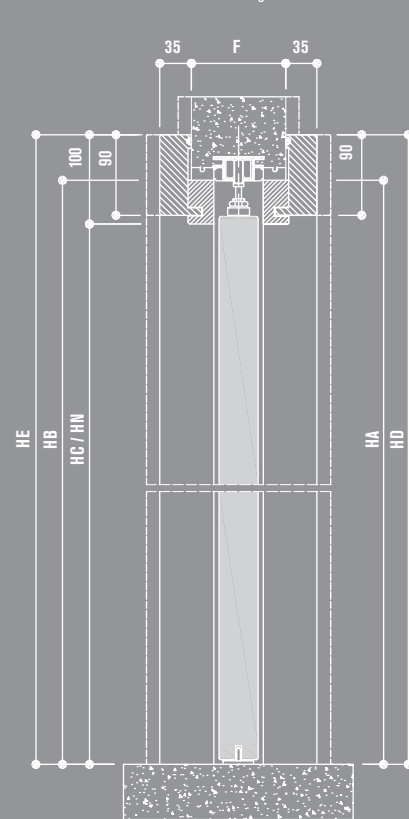
Porta Battente / Hinged door



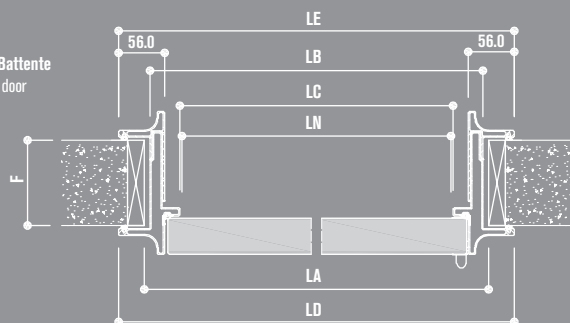
Porta Scorrevole esterno muro / Sliding door



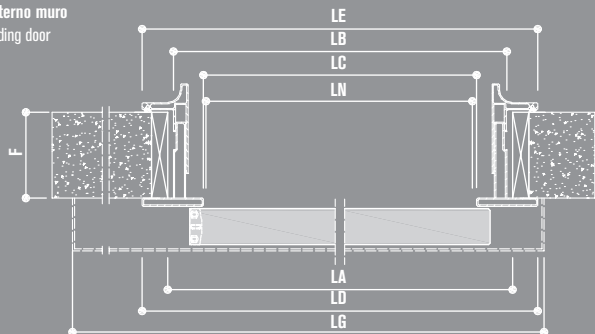
Porta Scorrevole interno muro / Hidden Sliding door



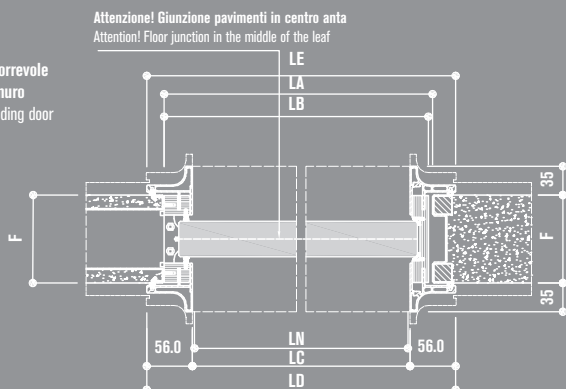
Porta Battente / Hinged door



Porta Scorrevole esterno muro / Sliding door



Porta Scorrevole interno muro / Hidden Sliding door



DIMENSIONE STANDARD / STANDARD DIMENSIONS

Porta Battente / Hinged door

LN	LC	HN/HC	LA	HA	LB	HB	LD	HD	LE	HE	F
600	610	2000/2100	700	2050/2150	686	2040/2140	762	2100/2200	762	2100/2200	da 105 a 125
700	710	2000/2100	800	2050/2150	786	2040/2140	862	2100/2200	862	2100/2200	
750	760	2000/2100	850	2050/2150	836	2040/2140	912	2100/2200	912	2100/2200	
800	810	2000/2100	900	2050/2150	886	2040/2140	962	2100/2200	962	2100/2200	
900	910	2000/2100	1000	2050/2150	986	2040/2140	1062	2100/2200	1062	2100/2200	

Porta Scorrevole esterno muro / Sliding door

LN	LC	HN/HC	LA	HA	LB	HB	LD	HD	LE	HE	LG	F
600	610	2000/2100	700	2050/2150	686	2040/2140	782	2095/2195	782	2100/2200	1420	da 105 a 125
700	710	2000/2100	800	2050/2150	786	2040/2140	882	2095/2195	882	2100/2200	1620	
750	760	2000/2100	850	2050/2150	836	2040/2140	912	2095/2195	912	2100/2200	1720	
800	810	2000/2100	900	2050/2150	886	2040/2140	982	2095/2195	982	2100/2200	1820	
900	910	2000/2100	1000	2050/2150	986	2040/2140	1062	2095/2195	1062	2100/2200	2020	

Porta Scorrevole interno muro / Hidden Sliding door

LN	LC	HN/HC	LA	HA	LB	HB	LD	HD	LE	HE	F
600	588	2000/2100	650	2050/2150	645	2050/2150	712	2100/2200	712	2100/2200	da 100 a 135
700	688	2000/2100	750	2050/2150	745	2050/2150	812	2100/2200	812	2100/2200	
750	738	2000/2100	800	2050/2150	795	2050/2150	882	2100/2200	882	2100/2200	
800	788	2000/2100	850	2050/2150	845	2050/2150	912	2100/2200	912	2100/2200	
900	888	2000/2100	950	2050/2150	945	2050/2150	1012	2100/2200	1012	2100/2200	

- LA/HA - Luce netta falso telaio - Structural opening dimensions
- LB/HB - Ingombro stipite - Overall frame dimensions
- LC/HC - Luce netta di passaggio - Maximum passage through
- LD/HD - Ingombro coprifilo lato a tirare - Overall dimensions including architraves internal
- LE/HE - Ingombro coprifilo lato a spingere - Overall dimensions including architraves external
- LN/HN - Misura nominale di ordinazione - Order dimension
- LG - Ingombro cassonetto copribinario - Overall dimensions rail-covering case
- F - Spessore parete - Wall thickness