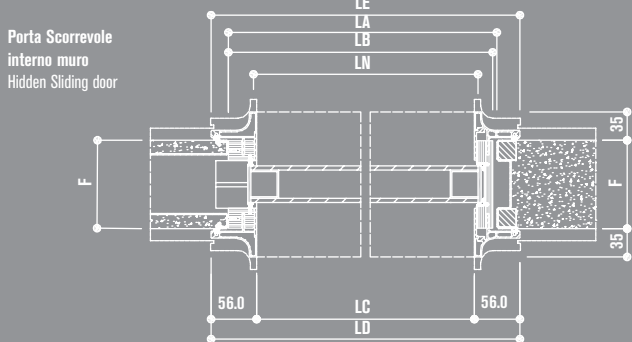
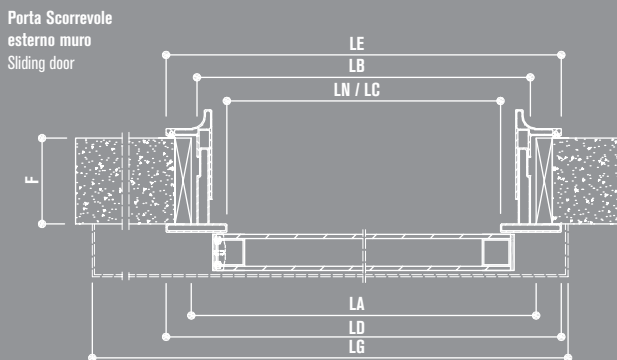
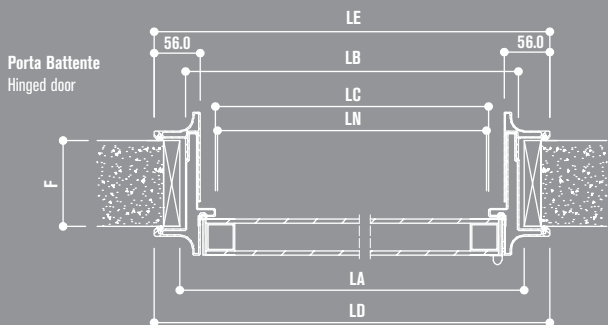
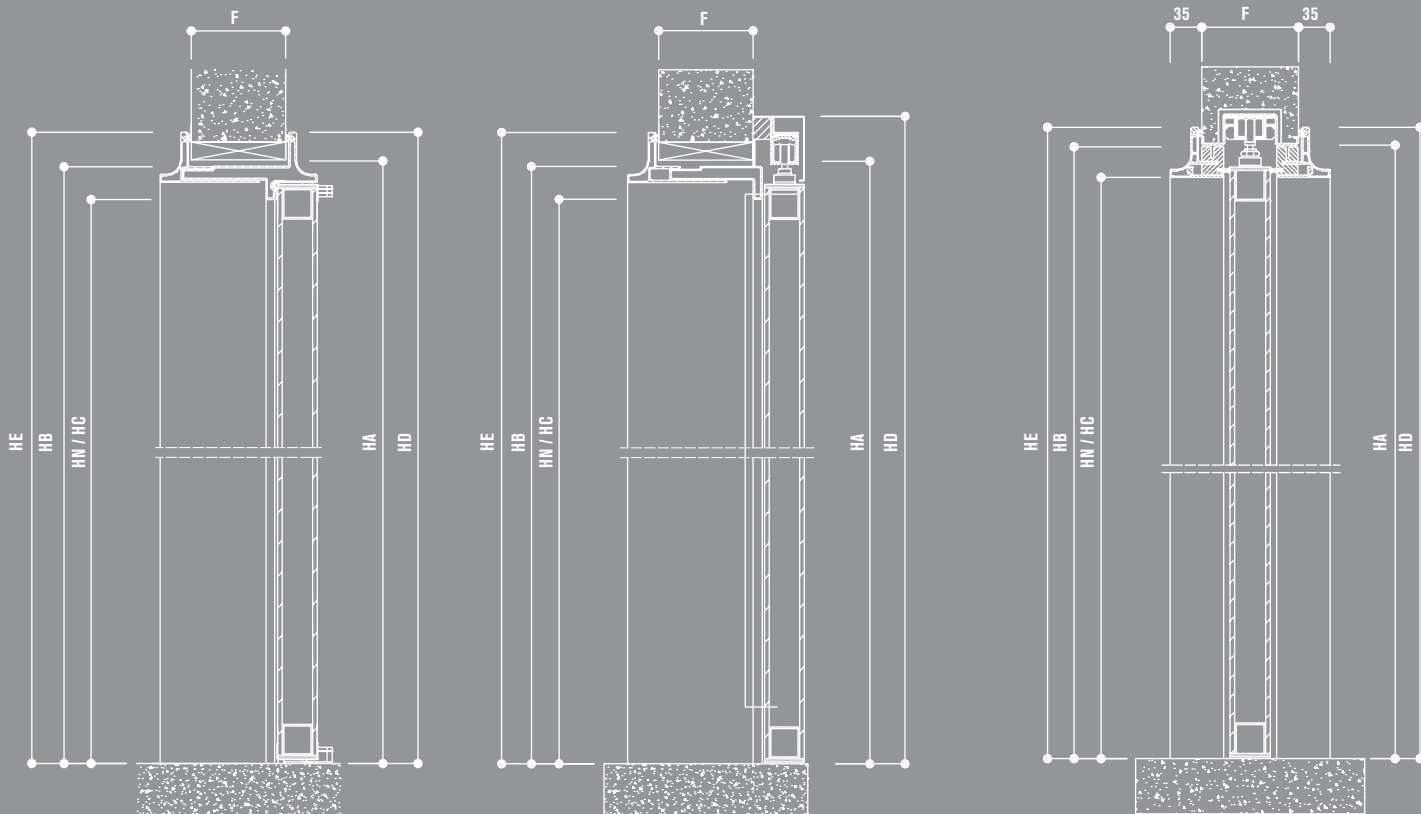


Porta Battente / Hinged door

Porta Scorrevole esterno muro / Sliding door

Porta Scorrevole interno muro / Hidden Sliding door



DIMENSIONE STANDARD / STANDARD DIMENSIONS

Porta Battente / Hinged door

LN	LC	HN/HC	LA	HA	LB	HB	LD	HD	LE	HE	F
600	610	2000/2100	700	2050/2150	686	2042/2142	762	2080/2180	762	2080/2180	da 105 a 125
700	710	2000/2100	800	2050/2150	786	2042/2142	862	2080/2180	862	2080/2180	
750	760	2000/2100	850	2050/2150	836	2042/2142	912	2080/2180	912	2080/2180	
800	810	2000/2100	900	2050/2150	886	2042/2142	962	2080/2180	962	2080/2180	
900	910	2000/2100	1000	2050/2150	986	2042/2142	1062	2080/2180	1062	2080/2180	

Porta Scorrevole esterno muro / Sliding door

LN	LC	HN/HC	LA	HA	LB	HB	LD	HD	LE	HE	LG	F
600	610	2000/2100	700	2050/2150	686	2030/2130	772	2088/2188	772	2101/2201	1390	da 105 a 125
700	710	2000/2100	800	2050/2150	786	2030/2130	872	2088/2188	872	2101/2201	1590	
750	760	2000/2100	850	2050/2150	836	2030/2130	922	2088/2188	922	2101/2201	1690	
800	810	2000/2100	900	2050/2150	886	2030/2130	972	2088/2188	972	2101/2201	1790	
900	910	2000/2100	1000	2050/2150	986	2030/2130	1072	2088/2188	1072	2101/2201	1990	

Porta Scorrevole interno muro / Hidden Sliding door

LN	LC	HN/HC	LA	HA	LB	HB	LD	HD	LE	HE	F
600	588	2000/2100	650	2036/2136	645	2035/2135	712	2101/2201	712	2101/2201	da 100 a 135
700	688	2000/2100	750	2036/2136	745	2035/2135	812	2101/2201	812	2101/2202	
750	738	2000/2100	800	2036/2136	795	2035/2135	862	2101/2201	862	2101/2203	
800	788	2000/2100	850	2036/2136	845	2035/2135	912	2101/2201	912	2101/2204	
900	888	2000/2100	950	2036/2136	945	2035/2135	1012	2101/2201	1012	2101/2205	

- LA/HA - Luce netta falso telaio - Structural opening dimensions
- LB/HB - Ingombro stipite - Overall frame dimensions
- LC/HC - Luce netta di passaggio - Maximum passage through
- LD/HD - Ingombro coprifilo lato a tirare - Overall dimensions including architraves internal
- LE/HE - Ingombro coprifilo lato a spingere - Overall dimensions including architraves external
- LN/HN - Misura nominale di ordinazione - Order dimension
- LG - Ingombro cassonetto copribinario - Overall dimensions rail-covering case
- F - Spessore parete - Wall thickness